

Application:

Stainless steel expansion joint for compensating movements and misalignments in dry exhaust systems.
Maximum operating temperature +550 °C, maximum working pressure 2.5 bar (20 °C).

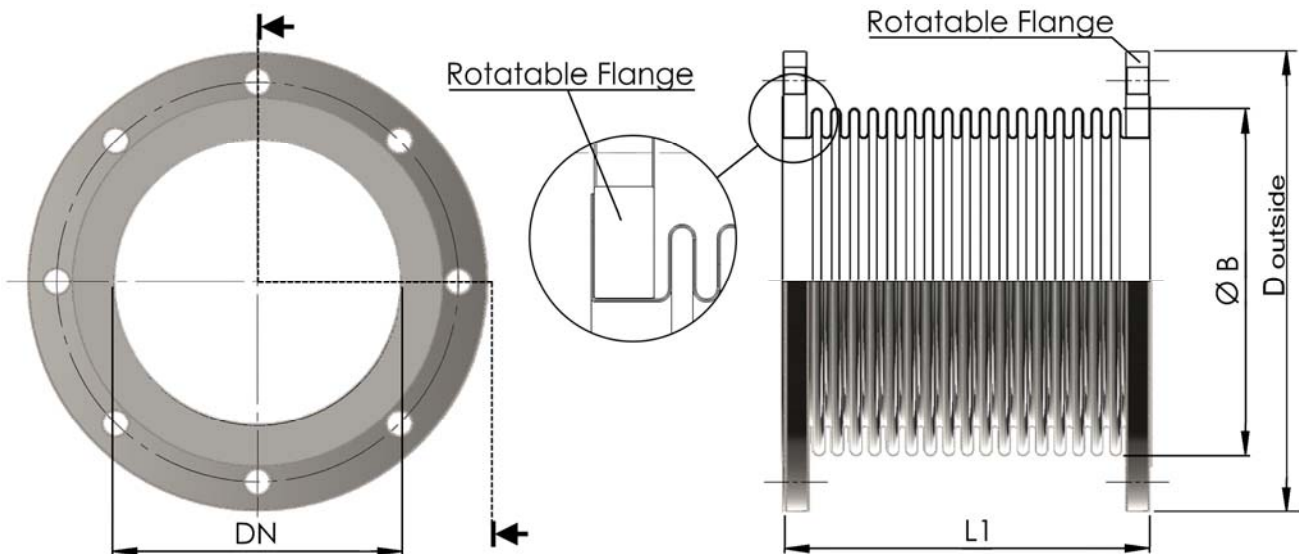
Description:

Stainless steel expansion joint AISI 321. Double ply bellows.
With swivelling flanges acc. PN 6.

Construction and design:

- Stainless steel expansion joint AISI 321
- With swivelling flanges acc. PN 6
- Double ply bellows material
- Standard length
- Max. temperature: 550°C
- Max. pressure: 2.5 bar (20°C)





Technical data:

Article no.	DN	L1 [mm]	Bellows (Material: AISI 321)			Movements		Springrate		Flange (Carbon steel)		
			B	Plies	Thick- ness	[mm]		[N/mm]		[mm]		
						Axial +/-	Lateral +/-	Axial +/-	Lateral +/-	D outside	Bolt circle	Holes x d
330420080	80	255	100.2	2	0.3	50	19	24	41	190	150	4 x 18
330420100	100	255	132.2	2	0.3	50	15	27	44	210	170	4 x 18
330420125	125	255	159.2	2	0.3	48	15	48	80	240	200	8 x 18
330420150	150	255	183.2	2	0.3	50	13	53	95	265	225	8 x 18
330420175	175	255	211	2	0.3	49	12	63	148	295	255	8 x 18
330420200	200	255	242	2	0.4	60	14	50	154	320	280	8 x 18
330420250	250	255	303	2	0.4	60	11	58	278	375	335	12 x 18
330420300	300	305	359	2	0.4	65	10	59	418	440	395	12 x 22
330420350	350	305	393	2	0.4	63	8	64	548	490	445	12 x 22
330420400	400	305	447	2	0.4	76	11	44	308	540	495	16 x 22
330420450	450	310	501	2	0.4	76	11	50	350	595	550	16 x 22

Subject to alteration

Movements are not in combination

Loggers b.v.

Mail: P.O. Box 194 3300 AD Dordrecht The Netherlands
 Office: Pieter Zeemanweg 133 3316 GZ Dordrecht The Netherlands
 Tel. +31(0) 78 618 28 44
 Fax. +31(0) 78 618 06 50
 Email: sales@loggers.nl
 Internet: www.loggers.nl

Loggers Schwingungstechnik GmbH

Mail and office:
 Am Markt 9 D-27419 Sittensen Germany
 Tel. +49(0) 4282 5949 0
 Fax. +49(0) 4282 5949 39
 Email: sales@loggers.de
 Internet: www.loggers.de