

**Application:**

Stainless steel expansion joint for compensating movements and misalignments in dry exhaust systems. Maximum operating temperature +550 °C, maximum working pressure 2,5 bar (20 °C).

**Description:**

Stainless steel expansion joint AISI 321. Twin bellows construction. Double ply bellows. Carbon steel weld ends.

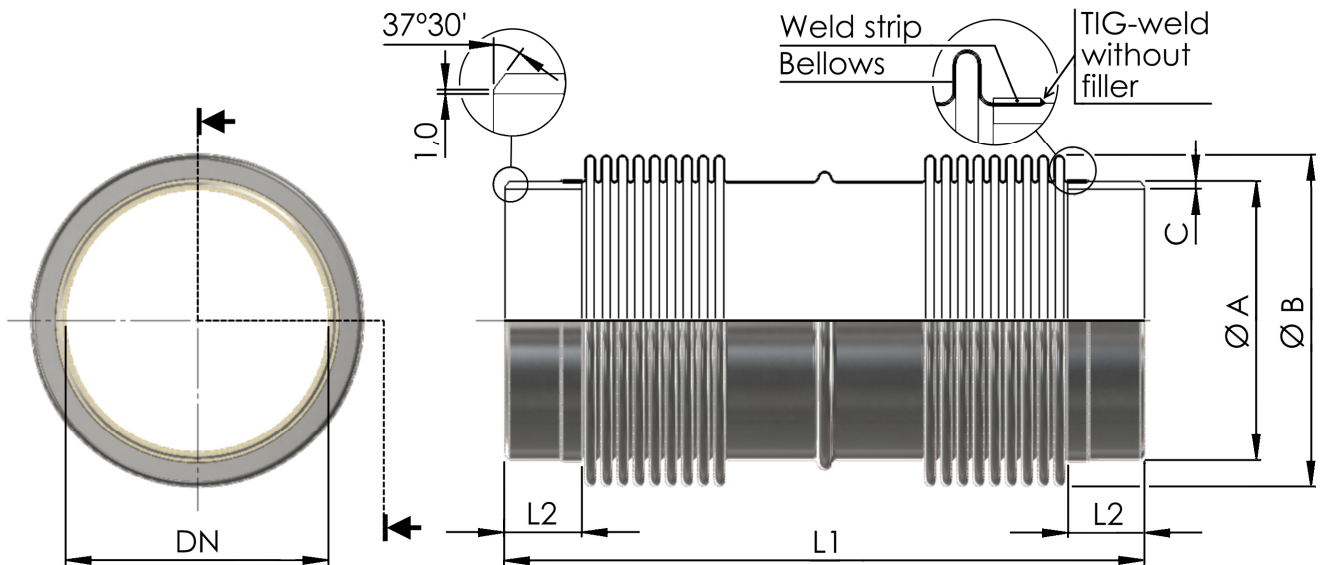
**Construction and Design:**

- Stainless steel expansion joint AISI 321
- Twin bellows construction
- Double ply bellows material
- Standard length
- Carbon steel weld ends
- Max. temperature: 550 °C
- Max. pressure: 2,5 bar (20 °C)
- Stock item

**Approvals:**

BUREAU VERITAS





### Technical data:

Article no.	DN	L1	Bellows (Material: AISI 321)			Welding ends (Material: Carbon steel)			Movements		Springrate	
			B	Plies	Thickness	A	C	L2	mm		N/mm	
									Axial +/-	Lateral +/-	Axial +/-	Lateral +/-
330 020 040	40	375	60,3	1	0,3	48,3	2,6	40	30	73	21	8
330 020 050	50	375	77,0	2	0,3	60,3	2,9	40	32	65	23	11
330 020 065	65	345	95,0	2	0,3	76,1	2,9	40	54	54	32	19
330 020 080	80	380	111,0	2	0,3	88,9	3,2	40	38	63	20	13
330 020 100	100	330	140,0	2	0,3	114,3	3,6	40	36	46	25	23
330 020 125	125	320	168,0	2	0,3	139,7	3,6	40	32	33	23	28
330 020 150	150	395	200,5	2	0,4	168,3	4,0	50	45	46	38	14
330 020 175	175	395	227,8	2	0,4	193,7	4,5	50	44	40	36	23
330 020 200	200	405	255,1	2	0,4	219,1	4,5	50	49	42	43	27
330 020 250	250	405	315,0	2	0,4	273,0	5,0	50	47	33	39	37
330 020 300	300	415	371,9	2	0,4	323,9	5,0	70	45	18	37	64

Subject to alteration

Movements are not in combination

### Loggers b.v.

Mail: P.O. Box 194 3300 AD Dordrecht The Netherlands  
 Office: Pieter Zeemanweg 133 3316 GZ Dordrecht The Netherlands  
 Tel. +31(0) 78 618 28 44  
 Fax. +31(0) 78 618 06 50  
 Email: [sales@loggers.nl](mailto:sales@loggers.nl)  
 Internet: [www.loggers.nl](http://www.loggers.nl)

### Loggers Schwingungstechnik GmbH

Mail and office:  
 Am Markt 9 D-27419 Sittensen Germany  
 Tel. +49(0) 4282 5949 0  
 Fax. +49(0) 4282 5949 39  
 Email: [sales@loggers.de](mailto:sales@loggers.de)  
 Internet: [www.loggers.de](http://www.loggers.de)