

**Application:**

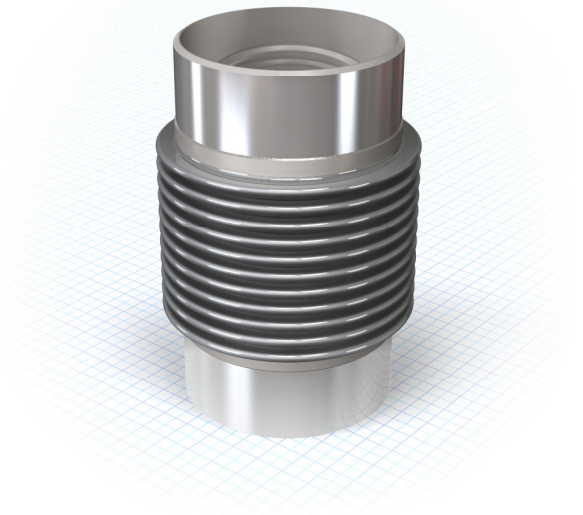
Stainless steel expansion joint for compensating movements and misalignments in dry exhaust systems.  
Maximum operating temperature +550 °C, maximum working pressure 2,5 bar (20 °C).

**Description:**

Stainless steel expansion joint AISI 316Ti. Double ply bellows.  
Stainless steel weld ends AISI 316Ti.

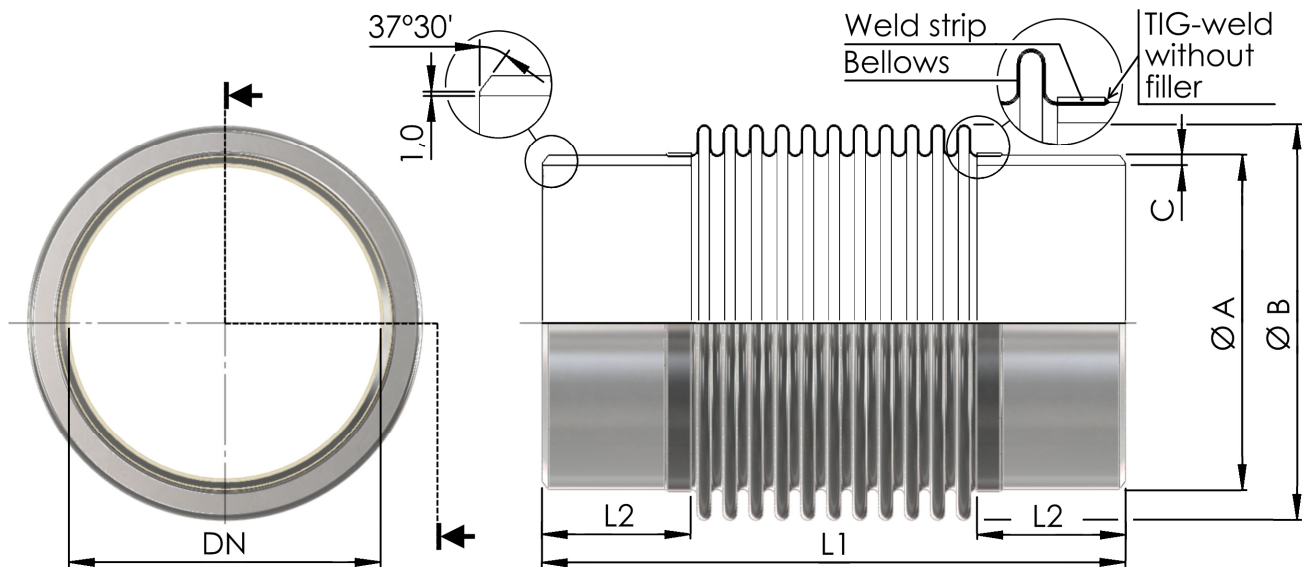
**Construction and design:**

- Stainless steel expansion joint AISI 316Ti
- Double ply bellows material
- Standard length
- Stainless steel weld ends AISI 316Ti
- Max. temperature: 550 °C
- Max. pressure: 2,5 bar (20 °C)
- Stock item

**Approvals:**

BUREAU VERITAS





### Technical data:

Article no.	DN	L1	All materials: AISI 316 TI (1.4571)							Movements mm		Springrate N/mm	
			Bellow				Welding ends			Axial +/-	Lateral +/-	Axial +/-	Lateral +/-
			B	F	Plies	Thickness	A	C	L2				
300 250 040	40	245	57,7	22	1	0,3	48,3	2	50	29	18	30	7
300 250 050	50	245	69,7	13	2	0,3	60,3	2	50	29	15	34	11
300 250 065	65	245	87,5	13	2	0,3	76,1	2	50	32	15	56	50
300 250 080	80	245	100,3	13	2	0,3	88,9	2	50	38	15	53	35
300 250 100	100	245	129,8	11	2	0,3	114,3	2	50	44	10	34	40
300 250 125	125	245	157,8	11	2	0,3	139,7	2	50	33	10	86	122
300 250 150	150	245	186,6	9	2	0,3	168,3	2	50	38	10	91	229
300 250 200	200	245	239,7	9	2	0,3	219,1	2	50	27	10	108	465
300 250 250	250	245	293,6	9	2	0,3	273,0	2	50	38	8	76	509
300 250 300	300	295	346,5	9	2	0,3	323,9	2	50	45	7	76	773
300 250 350	350	295	378,2	9	2	0,3	355,6	2	70	44	6	112	1330
300 250 400	400	295	435,0	9	2	0,3	406,4	2	60	50	3	91	1144
300 250 450	450	300	487,8	8	2	0,4	457,0	2	60	50	3	101	1081
300 250 500	500	340	585,6	9	2	0,4	508,0	3	70	73	2	89	1526
300 250 600	600	330	642,6	9	2	0,4	610,0	3	70	68	2	119	2027

Subject to alteration

Movements are not in combination

### Loggers b.v.

Mail: P.O. Box 194 3300 AD Dordrecht The Netherlands  
 Office: Pieter Zeemanweg 133 3316 GZ Dordrecht The Netherlands  
 Tel. +31(0) 78 618 28 44  
 Fax. +31(0) 78 618 06 50  
 Email: [sales@loggers.nl](mailto:sales@loggers.nl)  
 Internet: [www.loggers.nl](http://www.loggers.nl)

### Loggers Schwingungstechnik GmbH

Mail and office:  
 Am Markt 9 D-27419 Sittensen Germany  
 Tel. +49(0) 4282 5949 0  
 Fax. +49(0) 4282 5949 39  
 Email: [sales@loggers.de](mailto:sales@loggers.de)  
 Internet: [www.loggers.de](http://www.loggers.de)